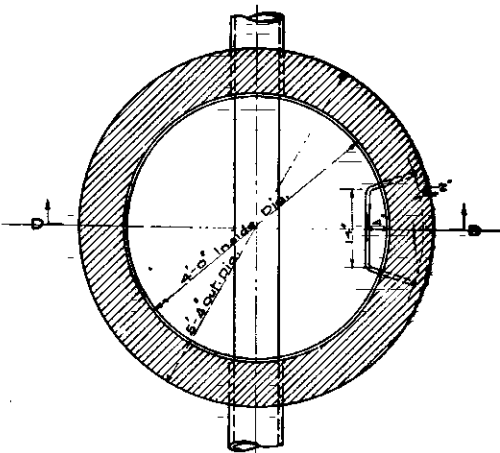
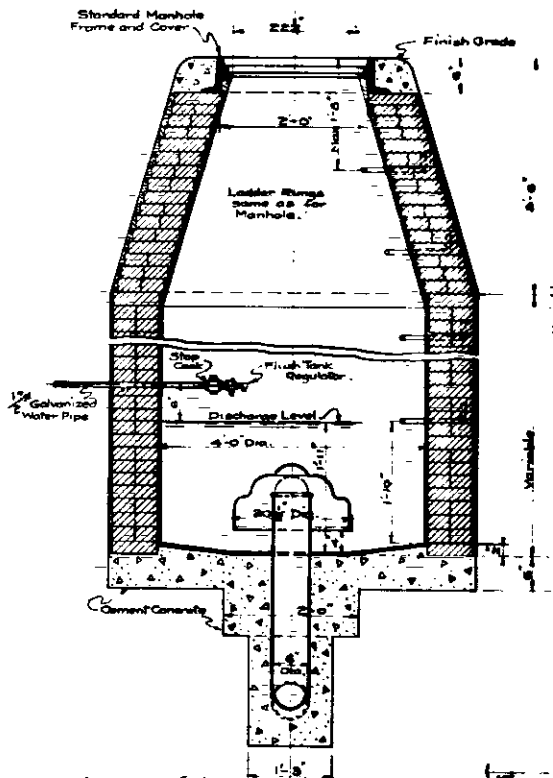


VERTICAL SECTION D-D

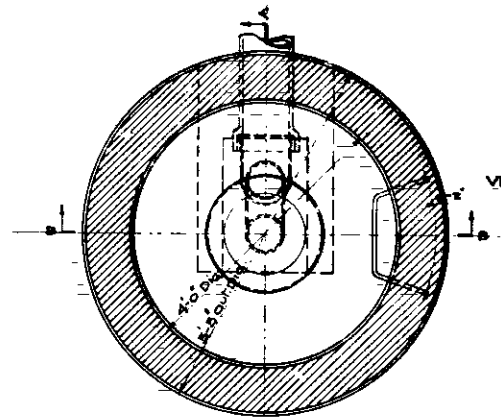


SECTIONAL PLAN

STANDARD BRICK MANHOLE  
Scale: 3/4" = 1'-0"

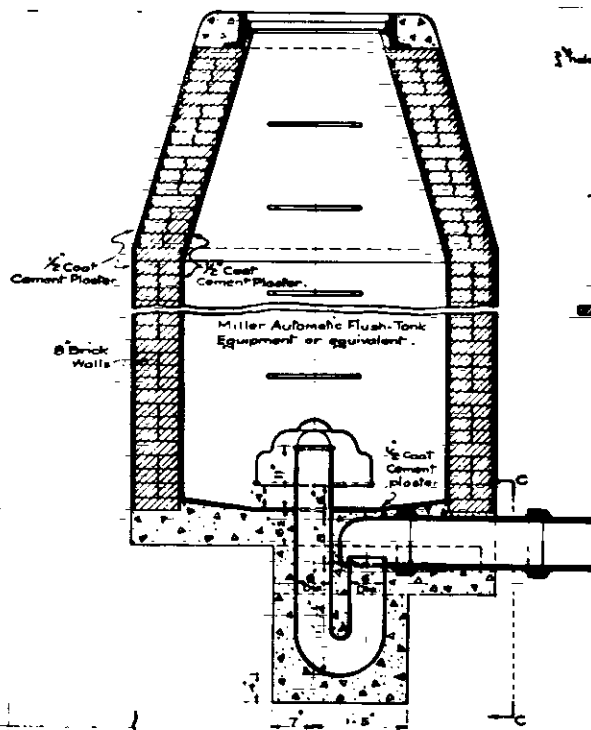


VERTICAL SECTION D-B

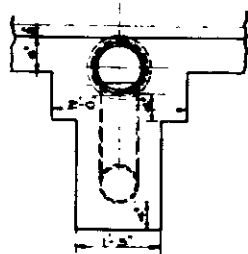


SECTIONAL PLAN

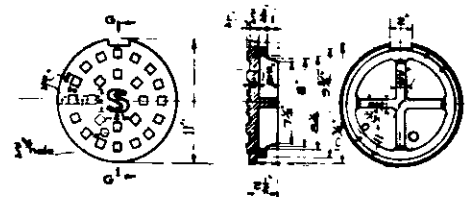
STANDARD BRICK FLUSH-TANK  
Scale: 3/4" = 1'-0"



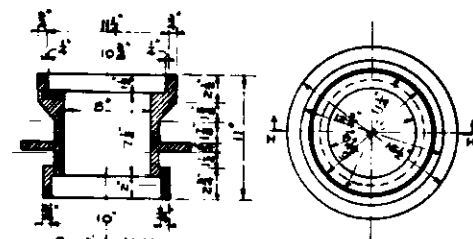
VERTICAL SECTION A-A



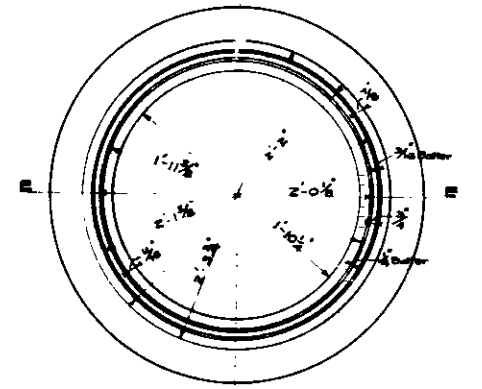
VERTICAL SECTION C-C



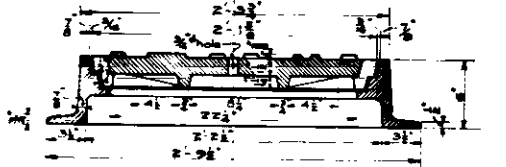
Top View Section G-G Bottom View  
LAMPHOLE COVER



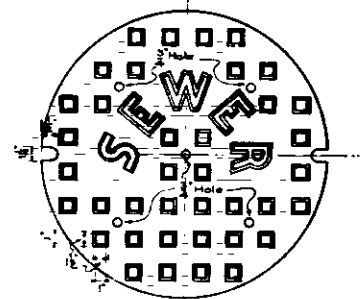
Section H-H Top View cover removed  
LAMPHOLE FRAME  
Scale: 1/2" = 1'-0"



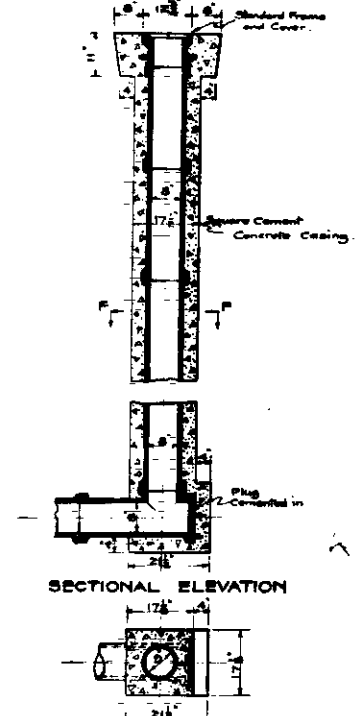
PLAN OF FRAME



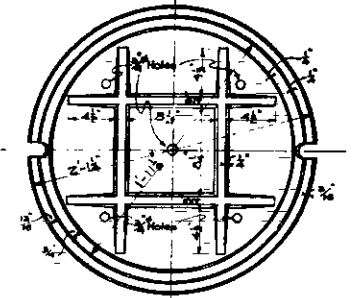
SECTION ON E-E  
SHOWING COVER AND FRAME TOGETHER



TOP VIEW OF COVER



SECTIONAL PLAN ON F-F  
STANDARD LAMPHOLE  
Scale: 1/2" = 1'-0"



BOTTOM VIEW OF COVER  
STANDARD MANHOLE FRAME & COVER  
Scale: 1/2" = 1'-0"

DETAILS OF  
STANDARD MANHOLE, FLUSH-TANK AND LAMPHOLE  
CITY OF SAN BERNARDINO  
CALIFORNIA